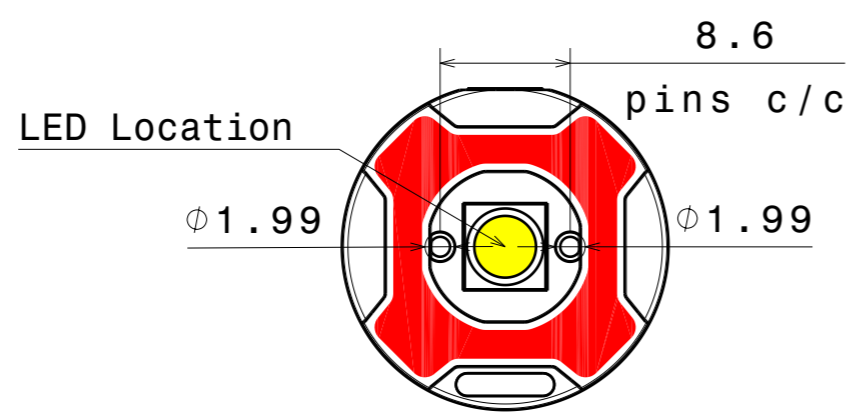
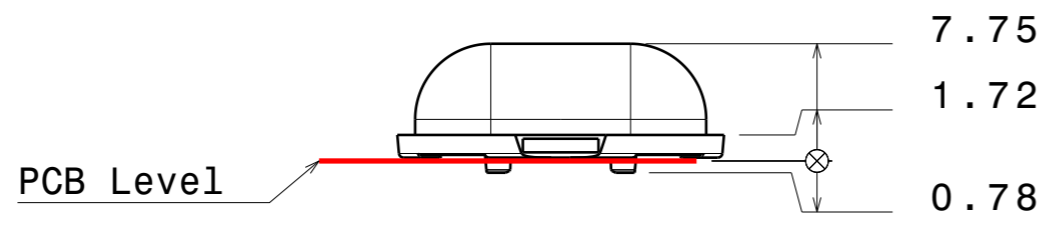
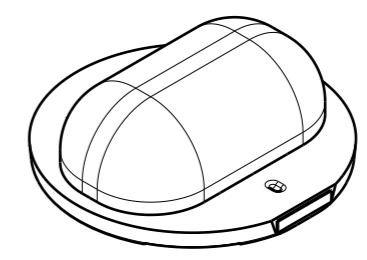
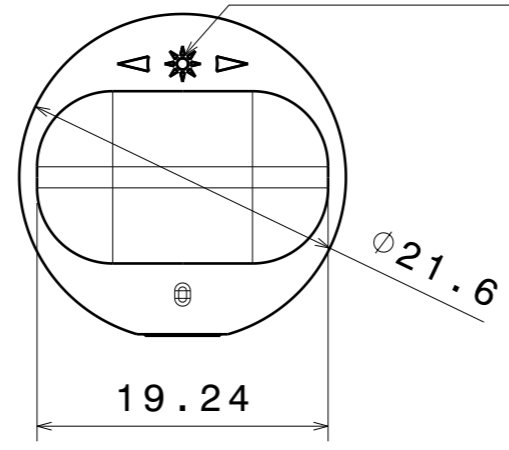


Beam direction indicator



CA17721_EMERALD-ER1
COMPONENTS

INDEX	PART	TYPE	MATERIAL	COLOR / COATING
1	C11269_HEIDI-TAPE	Tape	PU Foam	
2	C17718_EMERALD-ER1	Lens	PC	clear

MECHANICAL DRAWING		LEDiL[®]
PRODUCT EMERALD		
Plastic moulding general tolerances according to DIN 16901-130 and applies if not otherwise shown in the drawing. Silicone moulding general tolerances according to ISO 3302-1 Class M3 and applies if not otherwise shown in the drawing.	FIRST ANGLE PROJECTION: 	This drawing is the property of LEDiL Oy. It may not be copied or otherwise distributed without prior written permission from LEDiL Oy.
SCALE 2:1	WEIGHT 1,48	A3 SHEET 1/1

Notes

- PCB or heatsink level.
- LED location

Ensure LED fitting from a product specific 3D model available from www.ledil.com

For more details about installation please see LEDiL Installation Guide on www.ledil.com